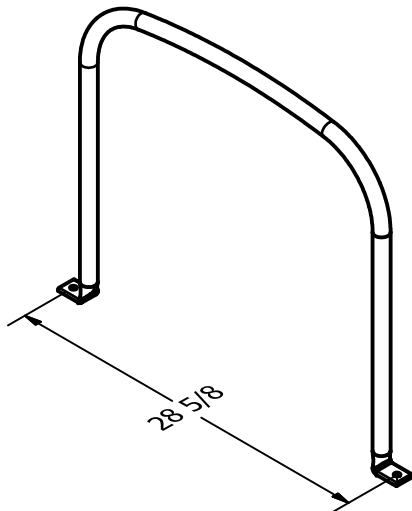
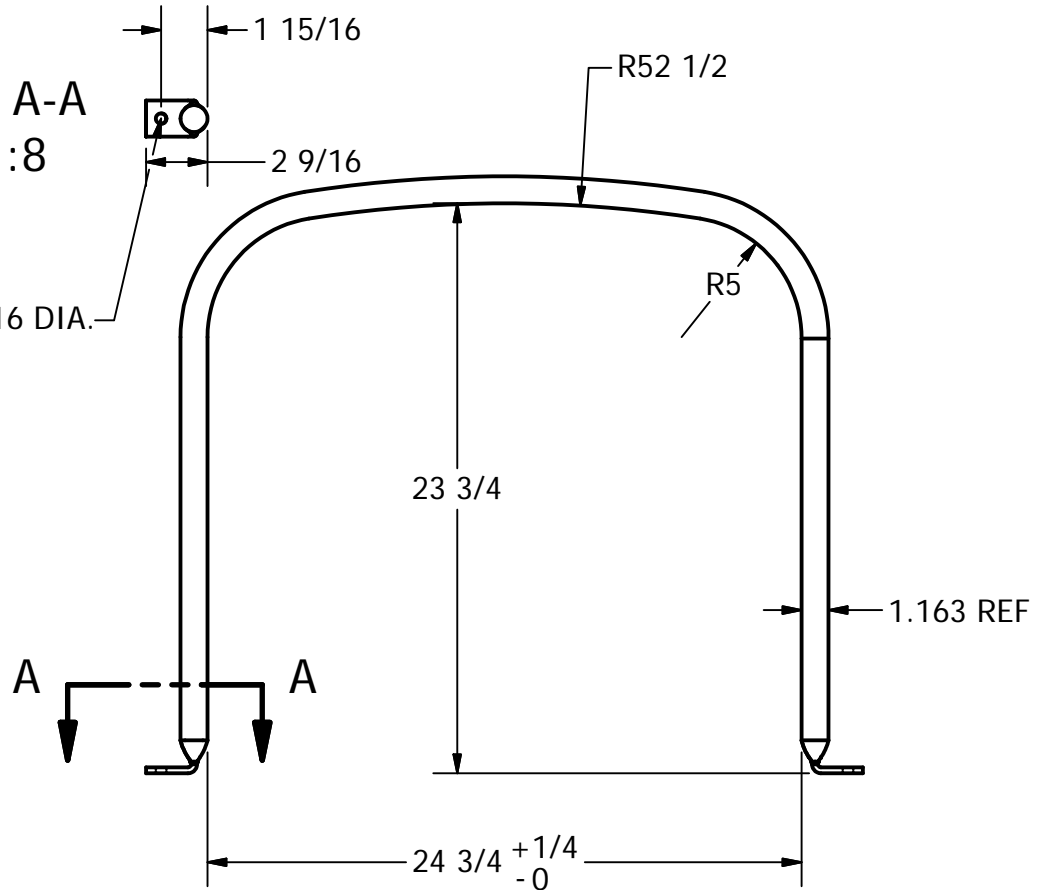


SECTION A-A  
SCALE 1:8

(2) HOLES, 7/16 DIA.



MAT'L: 1" ELECTRICAL METALLIC TUBING (EMT)

DRAWN Jerry Paulson	2/21/2008	<b>Agrico Plastiques Itée</b> www.agricoplastiques.com 450-471-2772		
CHECKED				
QA		HOOP, 100 GALLON FLAT BOTTOM UTILITY TANK		
MFG				
APPROVED				
		SIZE A	AR63552	REV
		SCALE: 1/8		SHEET 1 OF 1