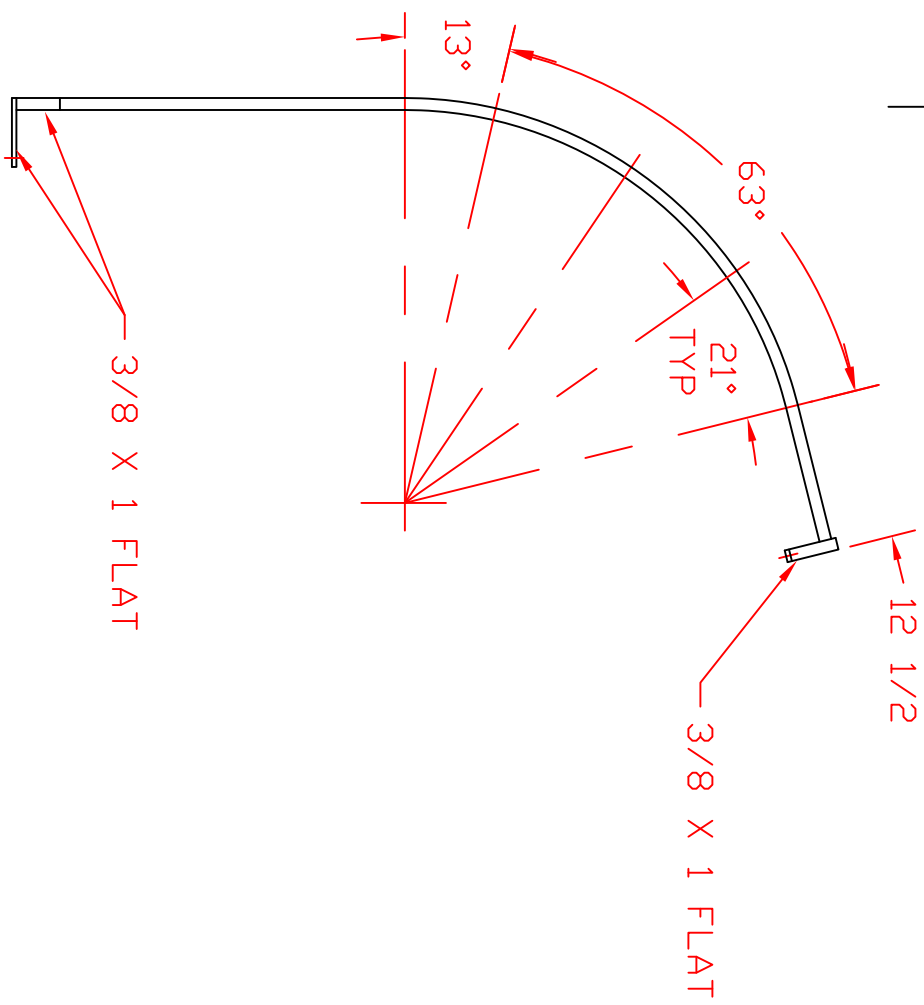
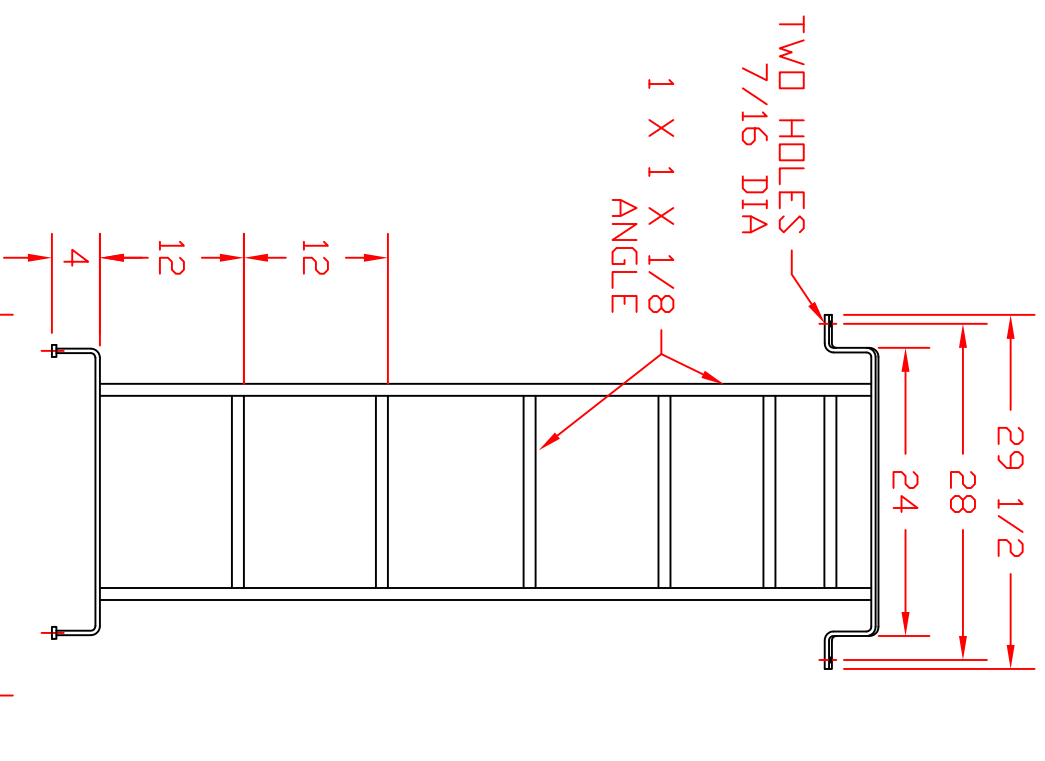


B WAS ① 5-3/4, ② 9/16 06FEB98

REVISIONS

ZONE	REV	DESCRIPTION	DATE	APPROVED
	A	REVISED & REDRAWN	23OCT97	



TWO HOLES 7/16 DIA (B2)



FINISH: HOT DIPPED GALVANIZED

JTP 23OCT97		<p>AGRICO PLASTIQUES 450-471-2772</p> <p>LADDER, 2635/3135 ELLIPTICAL LEG TANK</p>		REV B
SCALE 1/16	SIZE A	FSCM NO. 60354	DWG NO. 60354	